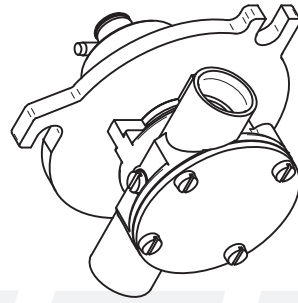
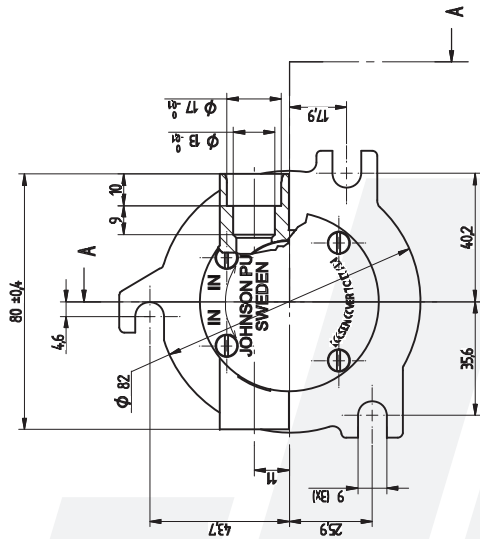
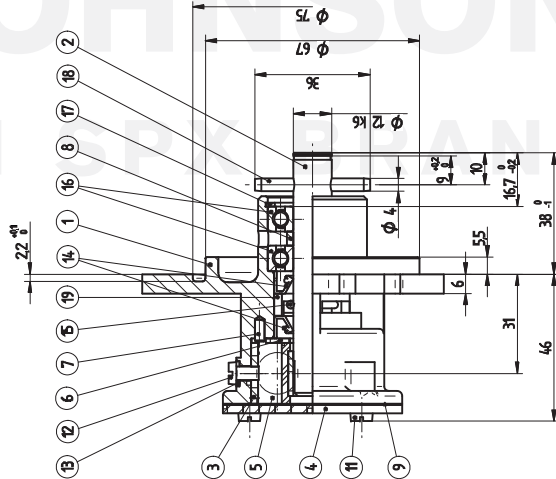


Dimension Unit of dimension Denotation Scale factor	Unit of dimension Denotation Scale factor
--	---



1:1



SECTION A-A

F35B-902 Impeller pump
Art.No. 10-24707-01

Part. No.	Description GB	Position	Quantity
01-24177	BODY F35B-902	1	1
01-45543	SHAFT F35B-902	2	1
01-42415	CAM 1/2 F35B-	3	1
01-43239	ENDCOVER F35B-	4	1
08-808B-1	IMPELLER	5	1
01-45087	WEARPLATE F35B-	6	1
01-42400	PIN F35B-/F7B/F70B	7	1
01-45542	SPACER D 12X16X4.3	8	1
01-43240	GASKET F35B-	9	1
0.0279.501	SCREW M4X8 ISO1207	11	4
01-46794-10	SCREW 8-32UNCX7	12	1
01-46790-01	WASHER D7.5XD4X1 CU	13	1
0.2233.010	LIP SEAL 12X24X7 DPSM	14	2
0.2173.432	O-RING 11.3X2.4 SSI586 NBR70	15	1
0.3431.441	BALL BEARING 6001 ST	16	2
0.0371.028	RETAIN RING BORE D28 DIN472 SPRST	17	1
0.0415.342	COIL PIN 4X36 DIN7343 ST	18	1
01-45694	SPACER F35B-9	19	1

Refining nr Drawing no 08-24707 10-24707-01	Pump nr/alternativ nr Pump no/parts list F35B-902	Pump typ Pump type F35B-902	Märkning på lock Mark on endcover Pumptyp + pump nr + illik. år + vecka Pump type + pump no + man. year + week
--	---	-----------------------------------	---

JOHNSON PUMP
 JOHNSON PUMPS AB, BOX 166
 S-402 22 ÅLANDSKA
 TELEFON 0422 33300 FAX 0422 33303
 JOHNSON PUMP SWEDEN
 JOHNSON PUMPS AB, BOX 166
 S-402 22 ÅLANDSKA
 TELEFON 0422 33300 FAX 0422 33303
 JOHNSON PUMP SWEDEN

PART NO. 10-24707-01
 DRAWING NO. 10-24707-01
 PUMP NO. F35B-902
 MANUFACTURED IN SWEDEN

10-24707

P01