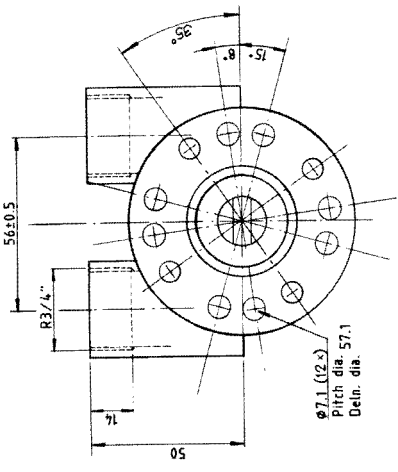
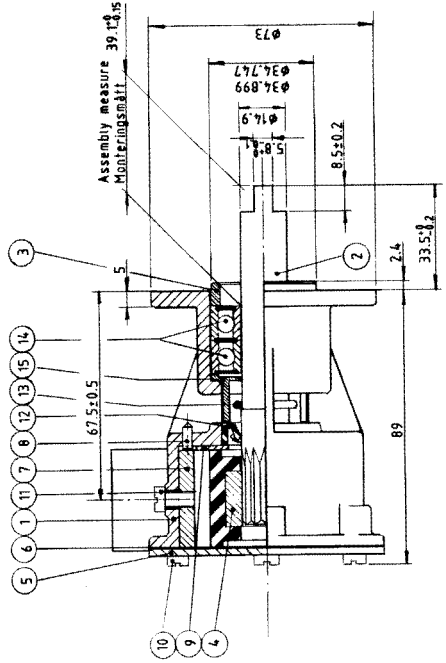


Technical drawing
 Title: 10-24334-01 F5B-9
 Scale: 1:1
 Date: 08-09-2017
 Author: [Name]
 Checked: [Name]
 Approved: [Name]



Pump no.	Pumptype	Cam/Kam	No.	Thickn.	Screw	Mark on endcover
10-24334-01	F5B-9	T locklek	01-42397	1/1 4.9	Skriv	Markes på lock
10-24334-02	F5B-902	1/2 2.3.1	01-45014	1/2 2.3.1		Pumptype - Pump no. Weekly code
						Pumptyp - Pumpnr. - Veckokod

F5B-9 Impeller pump

Part No.	Description GB	Position	Quantity
01-24115-5	BODY F5B-9	1	1
01-365308	SHAFT F5B-9	2	1
01-45024	GUIDE F5B-9	3	1
08-1027B	IMPELLER	4	1
01-42898	ENDCOVER F4/F5B-	5	1
01-42401	GASKET F5B-	6	1
01-42397	CAM 1/1 F5B-	7	1
01-42400	PIN F5B-/F7B/F70B	8	1
01-42899	WEAR PLATE F5B-	9	1
0.0141.700	TAP BOLT MAX8 ISO4017 A2-70	10	6
01-46794-05	SCREW 10-92UNFX8 BRASS	11	1
0.2283.001	LIP SEAL 16X28X7 DPSM	12	1
0.2172.403	O-RING 12.8X2.4 SS1586 NBR70	13	1
0.8431.1761	BALL BEARING D 15 6202-2RST (ST)	14	2
01-45186	WASHER F5B-9	15	1

10-24334-01	10-24334-01	10-24334-01	10-24334-01
08-09-2017	08-09-2017	08-09-2017	08-09-2017
10-24334-01	10-24334-01	10-24334-01	10-24334-01

* 1. Service kit 09-45585

JOHNSON PUMP
 OMNIBO - SWEDEN

JOHNSON IMPELLERPUMP
 F5B-9, 10-24334

10-24334

P03