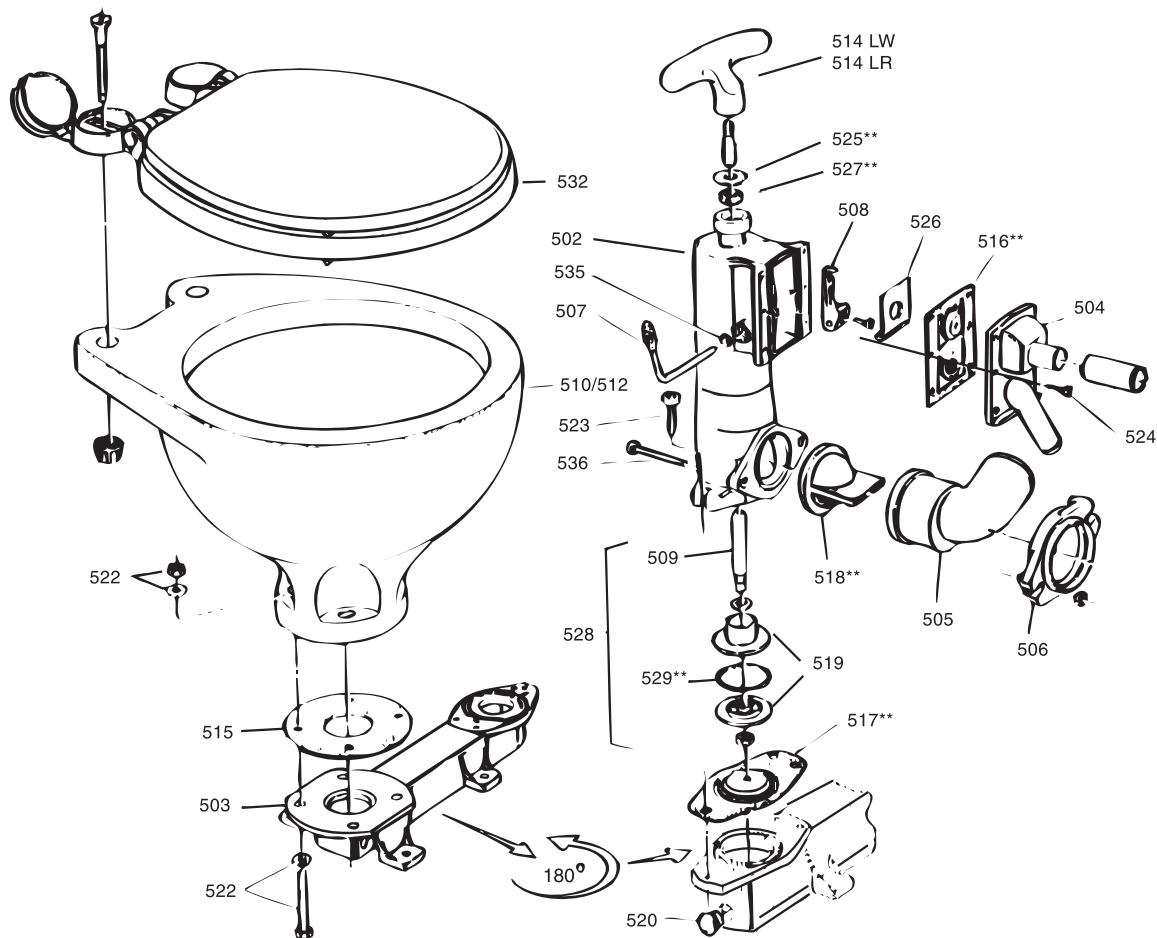


# MARINE TOILET

## Technical specifications



| Partsn. | Description          |
|---------|----------------------|
| 501     | Complete pump        |
| 502     | Pump housing         |
| 503     | Base                 |
| 504     | Valve cover          |
| 505     | Discharge elbow      |
| 506     | Discharge flange     |
| 507     | Lever                |
| 508     | Flipper              |
| 510     | Bowl, small          |
| 512     | Bowl, household type |

| Partsn. | Description                      |
|---------|----------------------------------|
| 513     | Seat and cover, standard plastic |
| 514     | Handle, white or red             |
| 515     | Bowl gasket                      |
| 516**   | Inlet valve                      |
| 517**   | Outlet valve                     |
| 518**   | Check valve                      |
| 519     | Piston house                     |
| 520     | Drain plug                       |
| 521     | Seat and cover, standard wood    |
| 525**   | Bumper washer                    |

| Partsn. | Description              |
|---------|--------------------------|
| 526     | Valve plate              |
| 527**   | Shaft seal               |
| 528     | Piston rod with piston   |
| 529**   | Piston ring              |
| 532     | Seat and cover household |
| 535**   | O-ring                   |
| 530**   | Repairkit                |