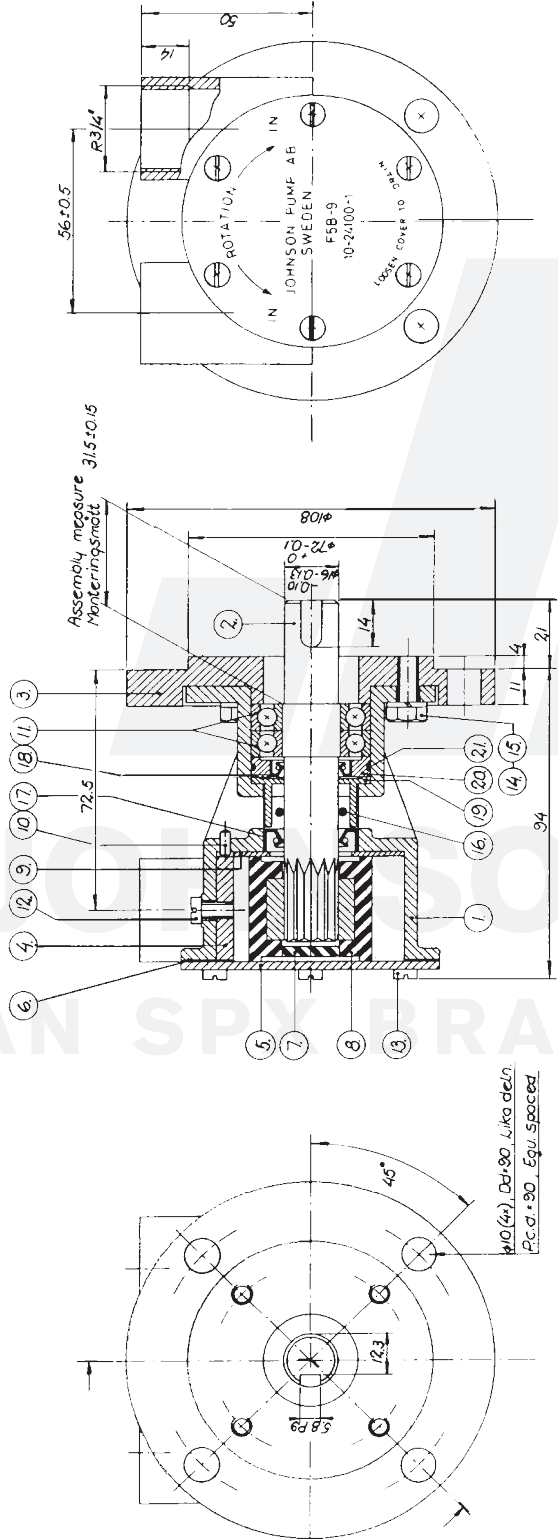


TEKNIŠKI CRTEŽI, IZVEDENI IZ VEŠTAČENJA  
 141 6 TA MAJSTOR LUT. INŽENJERINJA IN  
 141 6 TA MAJSTOR LUT. INŽENJERINJA IN  
 JOHNSON PUMP AB ÖREBRO



Q-ring	21	O-ring	1	Distansring	05-06-521
Spacer washer	20	Bricka	1	01-35093	
Lip seal	18	Låpplåtning	1	01-45186	
O-ring	17	Låpplåtning	1	CB 16245	05-29-506
Washer	15	O-ring	1	Ø50x16x2.7	05-06-501
Screw	14	Bricka	4	Ø6.5	05-01-19
Screw	13	Skruv	4	M6x16	05-04-171
Bearing	12	Skruv	6	M4x10	05-04-162
Pin	10	Skruv	7	M4x10	05-04-177
Impeller	9	Skruv	1	M4x10	05-04-162
Rubber washer	8	Skruv	1	M4x10	05-04-162
Gasket	6	Skruv	1	M4x10	05-04-162
Endcover	5	Skruv	1	M4x10	05-04-162
Cam	4	Skruv	1	M4x10	05-04-162
Flange	3	Skruv	1	M4x10	05-04-162
Shaft	2	Skruv	1	M4x10	05-04-162
Body	1	Skruv	1	M4x10	05-04-162

Örnstad, nytt utförande 27.9.1978